

## WATER PRESSURE REDUCING VALVE

### SPECIFICATION

SIZE:15~50MM  
 THREADED TO BS21, ISO7, ASMEB1.20.1  
 RANGE:20~75PSI

### PRESSURE/TEMPERATURE RATINGS

|                    |  |
|--------------------|--|
| Working pressure   | 16/25 bar  |
| Testing Pressure   | Shell: 24/37.5 bar, Hydrostatic<br>Seat: 17.6/27.5 bar, Hydrostatic<br>5.5 bar (Air) |
| Working temperatre | -20°C ~ 70°C   |

### MATERIALS

| Part      | Material        | ASTM        | BS 5154    |
|-----------|-----------------|-------------|------------|
| Body      | Brass           | B124 C37700 | 2874 CZ122 |
| Bonnet    | Brass           | B124 C37700 | 2874 CZ122 |
| Disc      | Brass           | B124 C37700 | 2874 CZ122 |
| Stem      | Stainless steel | A240 410    | 970 410S15 |
| Diaphragm | Rubber(NBR)     |             |            |
| Sealing   | Rubber(NBR)     |             |            |
| Spring    | Stainless steel | A240 304    | 970 304S15 |
| Filler    | Stainless steel | A240 304    | 970 304S15 |

### DIMENSIONS

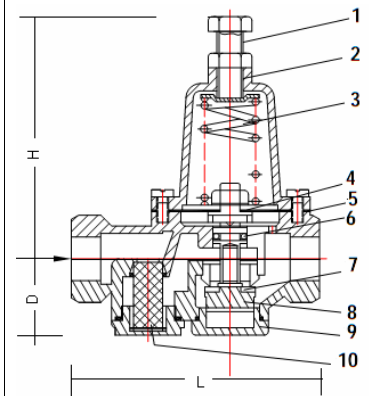
| Size(mm) | L (mm) | H(mm) | D(mm) |
|----------|--------|-------|-------|
| 15       | 110    | 130   | 38    |
| 20       | 110    | 130   | 43    |
| 25       | 135    | 143   | 46    |
| 32       | 160    | 195   | 47    |
| 40       | 180    | 222   | 51    |
| 50       | 200    | 252   | 55    |

Note: Design and specifications are subject to change without prior notice.

Fig. 1020

PN16/25

DN 15-50



11. Adjust screw
12. Bonnet
13. Spring
14. Tabletting
15. Diaphragm
16. Sealing
17. Sealing
18. Disc
19. Body
20. Filler